

Union Section

SoftDucts, LLC.

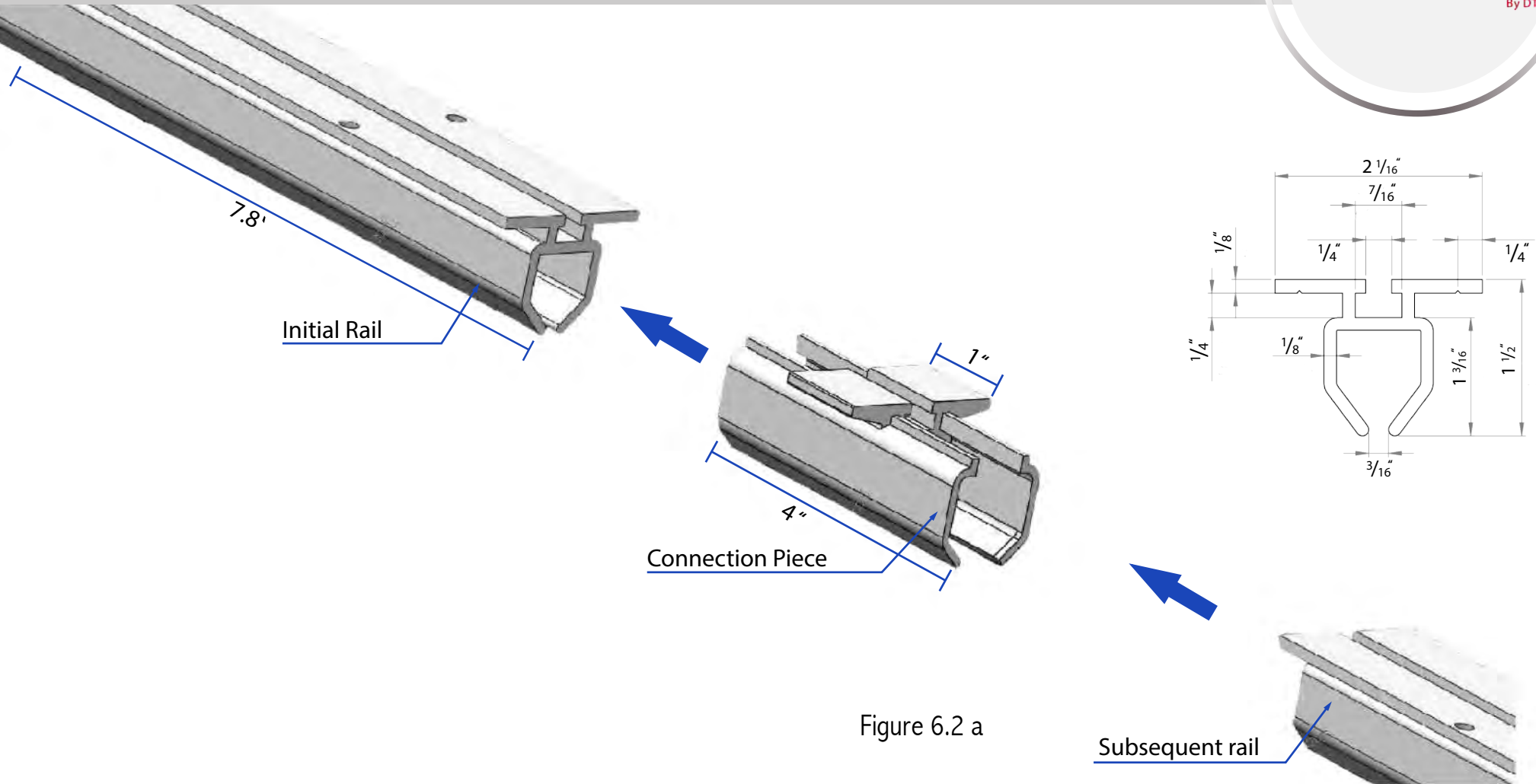
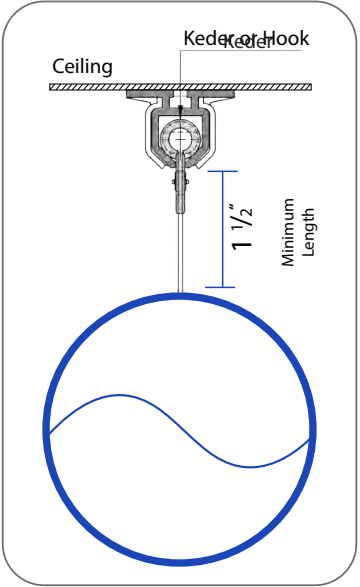
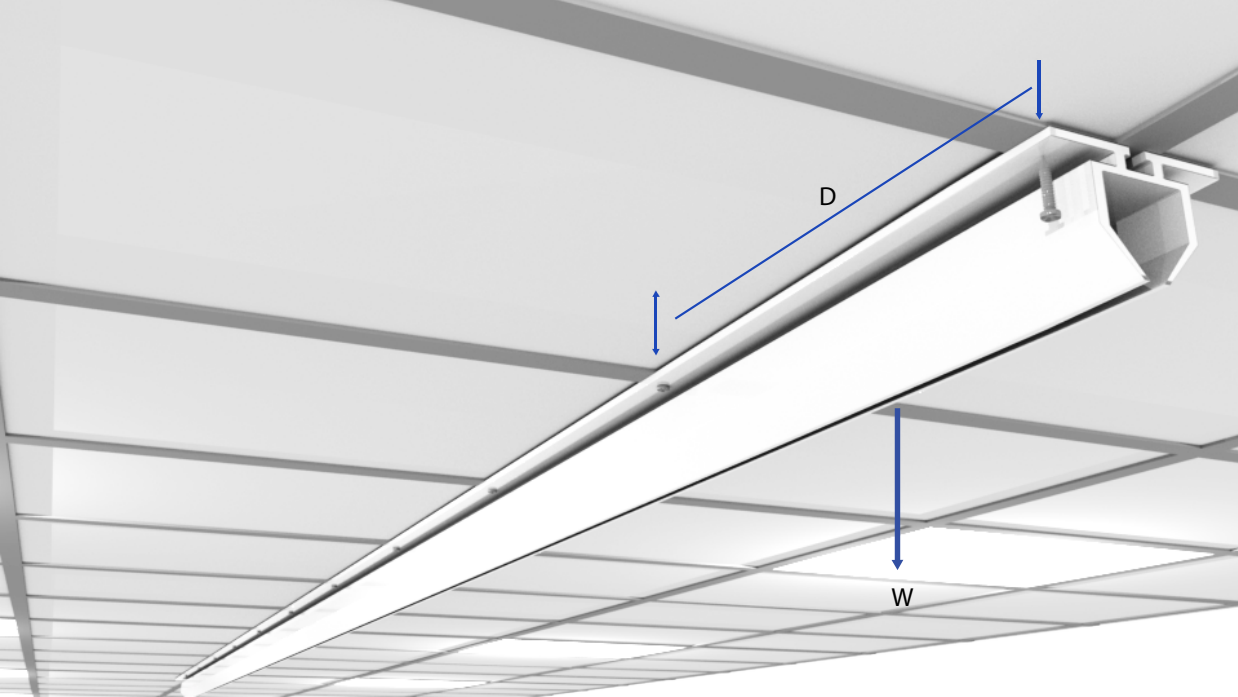


Figure 6.2 a

- a) With the help of a measuring laser or another tracing element, draw a straight line.
- b) Once the rail is fixed, join the connection piece. Position the subsequent rail at the other end of the connection piece.
- c) Repeat this procedure until the desired length is reached.

Details of ceiling connection for PVC Rail (A)

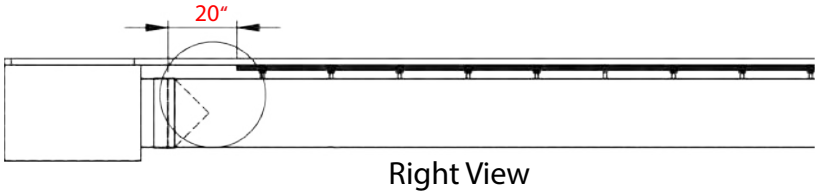
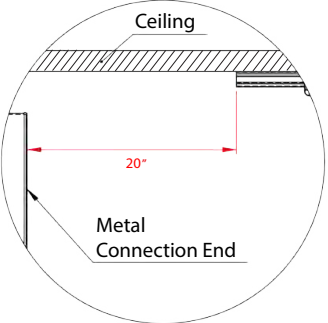
SoftDucts, LLC.



Separation between screws / threaded rod

D	2 Ft	3 Ft	4 Ft
W	60 lbs	20 lbs	6 lbs

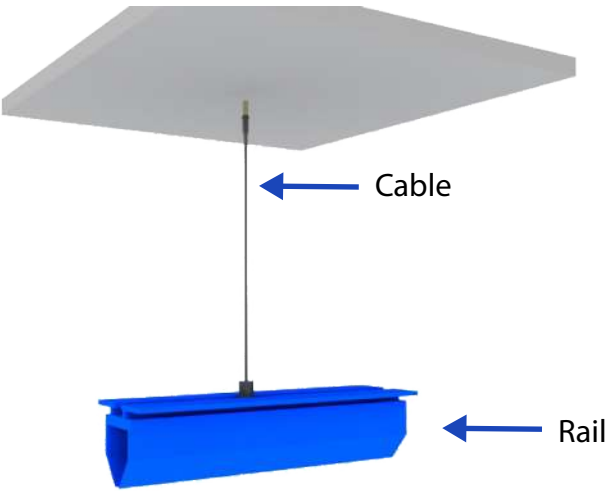
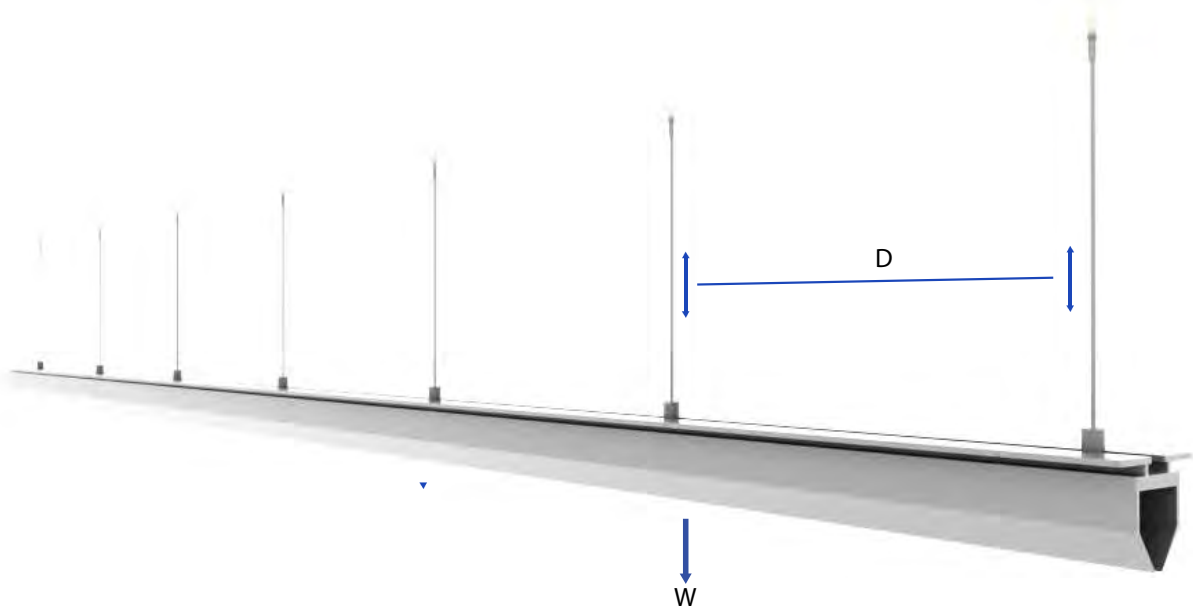
Maximum weight resistance per feet



Right View

Details of ceiling connection with Suspended Threaded Rod (B)

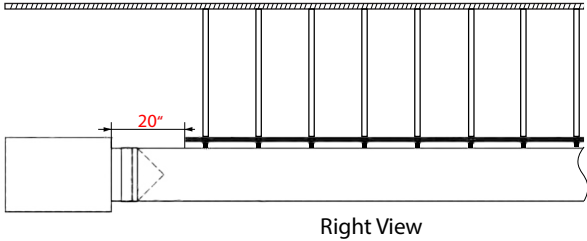
SoftDucts, LLC.



Separation between screws / threaded rod

D	2 Ft	3 Ft	4 Ft
W	60 lbs	20 lbs	6 lbs

Maximum weight resistance per feet



Rail Weight Support per Diameter

SoftDucts, LLC.



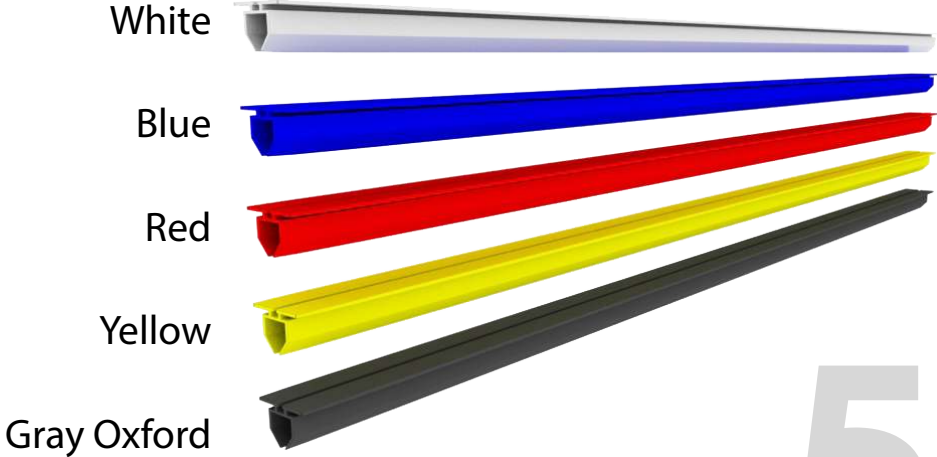
Rail Weight Support per Diameter

Oz/yd ²	6.3	4.0	3.0	7.6	8.8	
	Premium (lbs)	PP (lbs)	Full Color (lbs)	Kristal (lbs)	Pyro (lbs)	Aluminum Ring
Length (Ft)	4					
Diameter						
18	3.16	2.02	1.52	3.79	4.42	0.14
24	4.21	2.70	2.02	5.06	5.90	0.19
30	5.27	3.37	2.53	6.32	7.37	0.24
38	6.67	4.27	3.20	8.01	9.34	0.30
44	7.72	4.94	3.71	9.27	10.81	0.35
50	8.78	5.62	4.21	10.53	12.29	0.39
56	9.83	6.29	4.72	11.80	13.76	0.44
60	10.53	6.74	5.06	12.64	14.75	0.47

SPECIFICATIONS:

Properties	Measuring Units	Min	Max	Reference
Hardness	Shore "D"	75	81	ASTM D 2240-86 ACA-1-601
Specific Weight		1.44	1.480	ASTM D 792-91 ACA-1-602
Thermal Stability	Mins/ 177° C	100		ASTM D 2115-92 ACA-1-603
Tension Effort	kg/cm2	300		ASTM D 638-96 ACA-1-606

Rail Colors



5

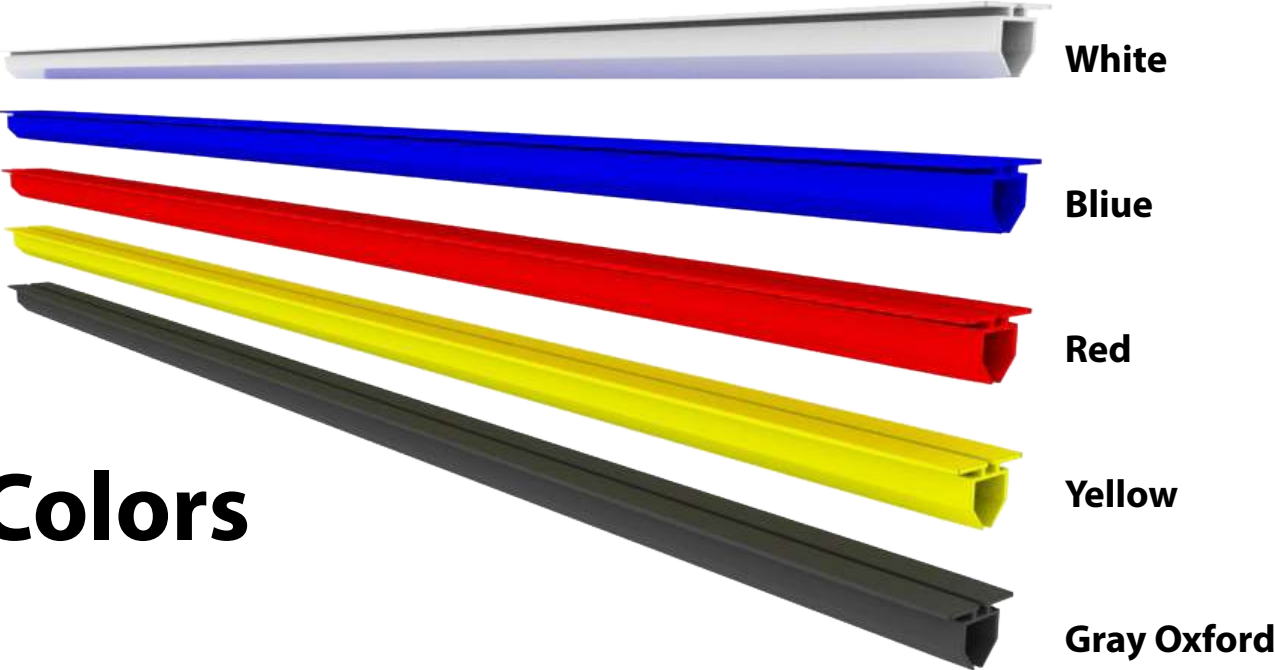
Material Specification Sheet

SoftDucts, LLC.



SPECIFICATIONS:

Properties	Measuring Units	Min	Max	Reference
Hardness	Shore "D"	75	81	ASTM D 2240-86 ACA-1-601
Specific Weight		1.44	1.480	ASTM D 792-91 ACA-1-602
Thermal Stability	Mins/ 177° C	100		ASTM D 2115-92 ACA-1-603
Tension Effort	kg/cm2	300		ASTM D 638-96 ACA-1-606



Rail Colors