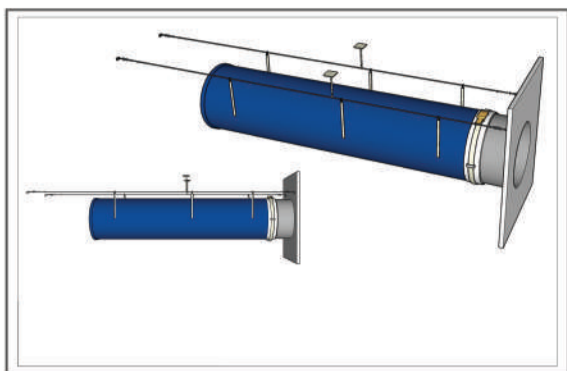


1. Verify if accessories are complete in the technical plan

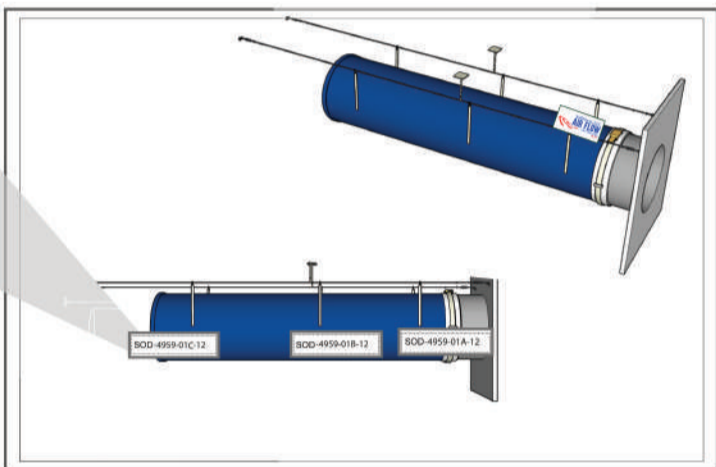
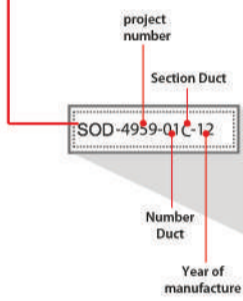


2. Identify duct parts based on labels

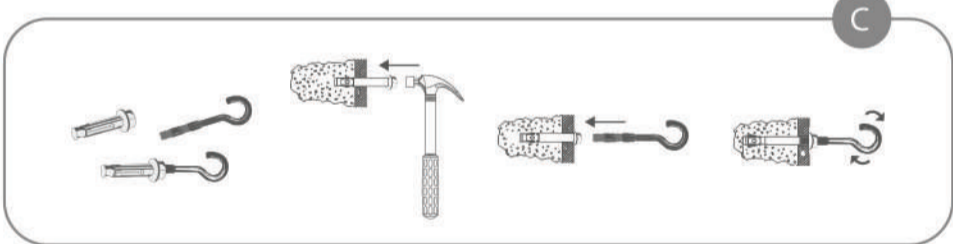
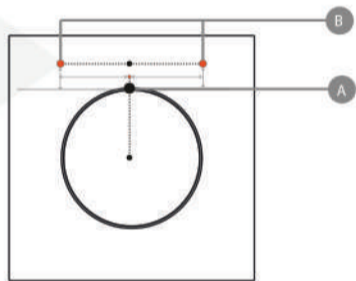
Tag DTI



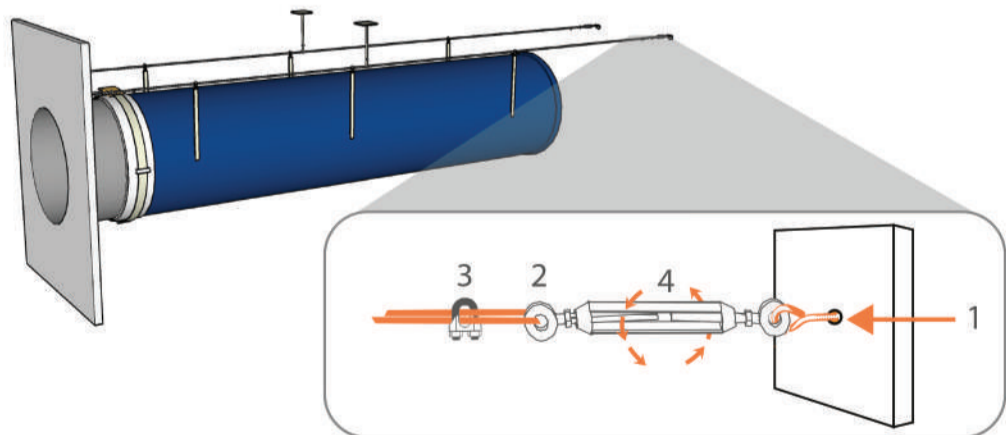
Identification label



3. Install by following these steps



4. Cable Tension with Turnbuckle



5. Duct Mounting

